



More than 100 year tradition



fireplace stoves • tile stoves • cookers

THORMA Výroba – limited partnership is a company that was established in 1998 and it continues in almost one hundred year tradition of ex-manufacturing corporation Kovosmalt Fiľakovo.

It became familiar to customers mainly by high-quality products with a long-time tradition, which are in compliance with demanding requirements of European standards. Crucial productive activity is the production of stoves, fireplaces and ovens for solid fuel, enamelled products, components for automobile industry and engineering industry. The company exports abroad more than 85% of its production. Its product portfolio has been continually and actively adjusted according to the market demand by own development, design, construction and the testing room.

In 2008 in the states of EU there have been agreed new climate goals for the greenhouse gas reduction. The key to success are renewable resources of energy. Neutral CO₂ is produced by wood combustion in modern heating appliances. The environment is less burdened in that way. Wood from domestic forests is available and the production of wood logs does not require any additional energy.

THORMA has been producing heating appliances that do not burden the environment for many years. Our stove are protected with heat resistant water based color. These heating appliances have been tested in compliance with the strict regulations. THORMA heating appliances are sold in almost 20 European countries and their owners are pleased by agreeable and economical warm.

THORMA quality has a future.

CERTIFICATES













- ①  The abbreviation Conformité Européenne provides security that a product is in compliance with all requirements of EU and that it is provable thanks to the relevant documentation as well.
- ②  Products with this symbol are in compliance with the Austrian law for protection of the environment against harmful effects.
- ③  Products with this symbol are in compliance with the 2nd grade of German federal law for protection against air pollution.
- ④  Products with this symbol are in compliance with the requirements of VKF (Cantonal Fire Insurance Association), Swiss coordination center for fire safety.
- ⑤  Products with this symbol are in compliance with the relevant Russian state norm.
- ⑥  Norwegian standard - Products with this symbol are in compliance with the relevant Norwegian state norm. NS 3058-1, NS3058-2, NS3059.
- ⑦  Products under that trade mark correspond to British standards of Defra emissions.

Unbranded product



Contents

Fireplace stoves 3 – 12 Kw.....	4
Fireplace stoves 12 kW	14
Fireplace stoves 8 – 17 kW	16
Fireplace inlays	20
Cookers	24
Tile stoves	28
Accessories	32

-  Efficiency
-  Coal
-  External air supply
-  Warm water exchanger
-  Accumulation refractory**
-  Storage space
-  Cooking plate
-  Oven
-  Bioalcohol
-  Flue outlet – top
-  Flue outlet – back
-  Flue outlet – side



*briquette

*coal

**Possibility to add accumulation refractory

COLOR VERSIONS



Beige



White



Black



Brown



Stainless steel



Grey



Winered

NATURAL STONES



Soapstone



Sandstone

COLOR OF CERAMICS



White satin



Bordeaux



Cappuccino



Black



Chestnut



Olive green



Serpentino



Ivory



Terracotta



Dark brown

The producer limits himself the right for technical and appearance changes of the products.

On the basis of this the customer can not submit a warranty claim for the product.

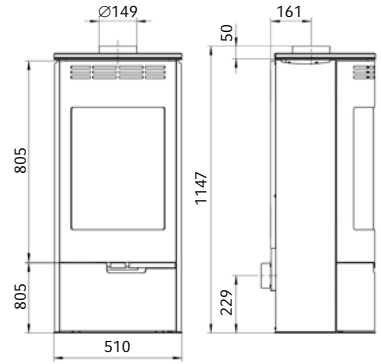
Fireplace stoves 3–12 kW 





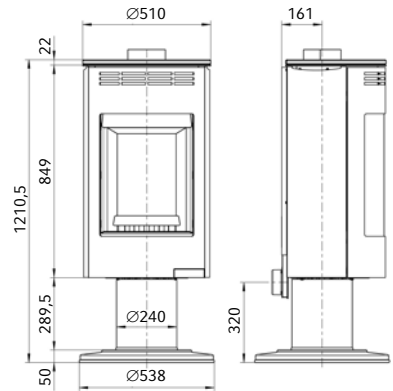
ANDORRA

Weight	103 kg
Regulation range	3,8 ÷ 11,2 kW
Heat capacity	98 ÷ 180 m ³
Flue outlete	top
Fuel	wood, briquette
Flue gas flow wood/briquette	6,9 / 8,9 g/s
Draught	12
Certificates	1, 2, 3, 4, 5, 6, 7



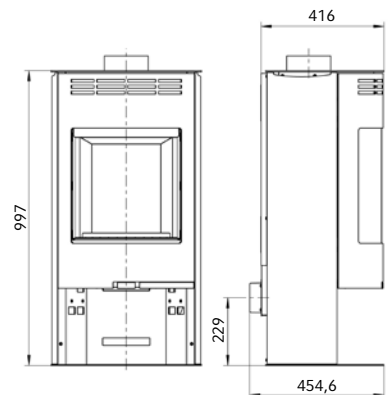
ANDORRA Exclusive

Weight	116 kg
Regulation range	3,8 ÷ 11,2 kW
Heat capacity	98 ÷ 180 m ³
Flue outlete	top
Fuel	wood, briquette
Flue gas flow wood/briquette	6,9 / 8,9 g/s
Draught	12
Certificates	1, 2, 3, 4, 5, 6, 7



ZARAGOZA

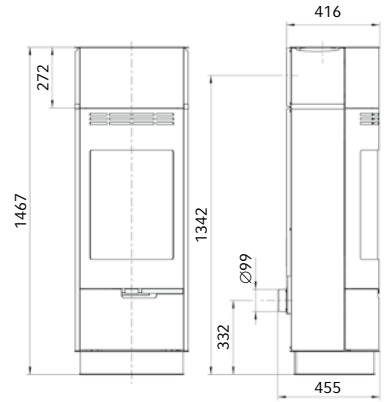
Weight	91 kg
Regulation range	2,5 ÷ 7,5 kW
Heat capacity	48 ÷ 124 m ³
Flue outlete	top
Fuel	wood, briquette
Flue gas flow wood/briquette	5,9 / 6,1 g/s
Draught	10/ 12
Certificates	1, 2, 3, 4, 5, 7





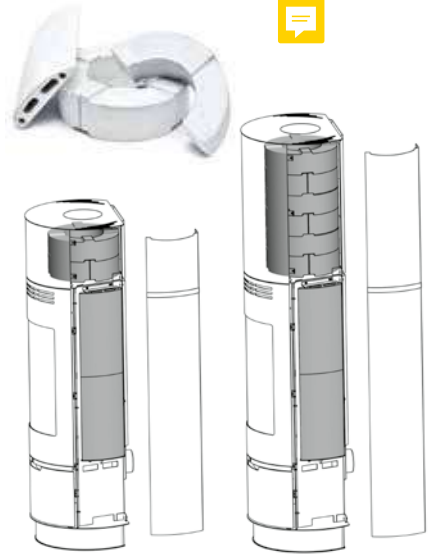
SANTANDER

Weight	130 kg
Regulation range	3,8 ÷ 11,2 kW
Heat capacity	98 ÷ 180 m ³
Flue outlete	top
Fuel	wood, briquette
Flue gas flow wood/briquette	6,9 / 8,1 g/s
Draught	12
Certificates	1, 2, 3, 5



COMBUSTION REGULATION

THORMA electronic combustion control is designed and tested only for THORMA fireplace stoves and inserts. Installation of electronic combustion control is quick but is recommended to be carried out by a qualified person. Thanks to the regulation, you can reduce the fuel consumption and consequently save on your operating costs. Regulation is designed and tested to reduce the amount of emissions that occur during the process of solid fuel combustion (wood, brown coal briquettes).



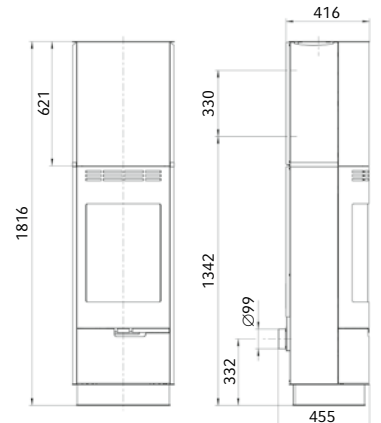
ACCUMULATION

Heat accumulation rings and stone cladding in SEVILLA and SANTANDER models will prolong the radiation time by up to 6 hours. SEVILLA can hold a maximum of 12 half-rings weighing 57.6 kg and 4 stones weighing 21.2 kg. SANTANDER can accommodate 4 half-rings and 4 stones with a total weight of 40.4 kg.



SEVILLA

Weight	132 kg
Regulation range	3,8 ÷ 11,2kW
Heat capacity	98 ÷ 180 m ³
Flue outlete	top, back
Fuel	wood, briquette
Flue gas flow wood/briquette	6,9 / 8,1 g/s
Draught	12
Certificates	1, 2, 3, 4, 5, 6, 7



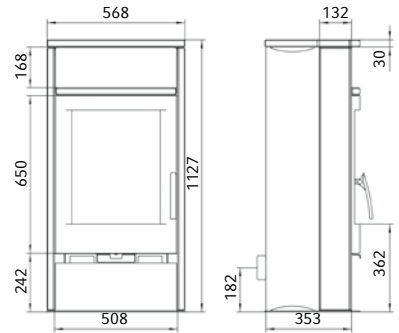


ALVESTA

Weight	146 kg
Regulation range	4 ÷ 12 kW
Heat capacity	98 ÷ 190 m ³
Flue outlete	top
Fuel	wood, briquette
Flue gas flow wood/briquette	6,1 / 10 g/s
Draught	10
Certificates	1, 2, 3, 4, 5, 7



82%

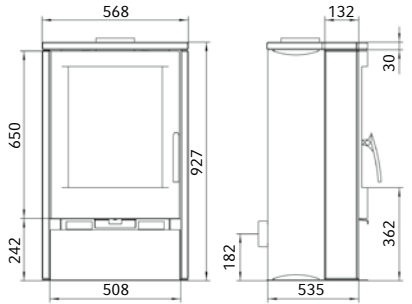


ALVESTA II

Weight	134 kg
Regulation range	4 ÷ 12 kW
Heat capacity	98 ÷ 190 m ³
Flue outlete	top
Fuel	wood, briquette
Flue gas flow wood/briquette	6,1 / 10 g/s
Draught	10
Certificates	1, 2, 3, 4, 5, 7



82%

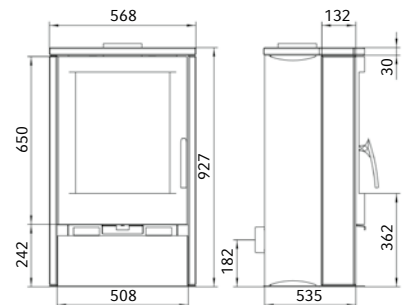


ALVESTA II black

Weight	91 kg
Regulation range	4 ÷ 12 kW
Heat capacity	98 ÷ 190 m ³
Flue outlete	top
Fuel	wood, briquette
Flue gas flow wood/briquette	6,1 / 10 g/s
Draught	10
Certificates	1, 2, 3, 4, 5, 7



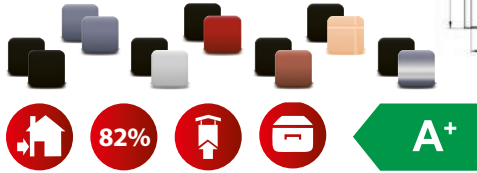
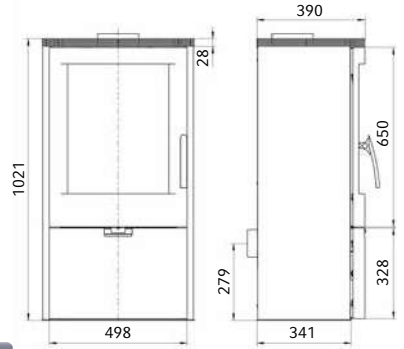
82%





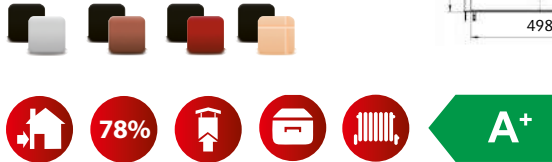
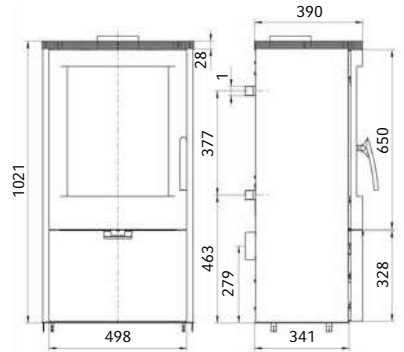
FALUN II

Weight	108 kg
Regulation range	4 ÷ 12 kW
Heat capacity	98 ÷ 190 m ³
Flue outlete	top
Fuel	wood, briquette
Flue gas flow wood/briquette	6,1 / 10 g/s
Draught	10
Certificates	1, 2, 3, 4, 5, 7



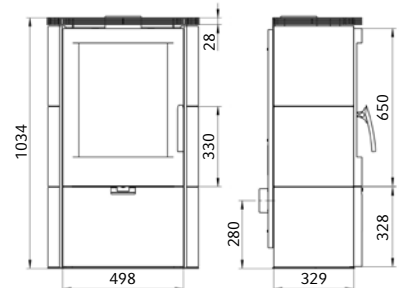
FALUN II Aqua

Weight	125 kg
Regulation range	4 ÷ 12 kW
Heat capacity	98 ÷ 190 m ³
Flue outlete	top
Fuel	wood, briquette
Flue gas flow wood/briquette	8,8 / 6,3 g/s
Draught	12
Certificates	1, 5



FALUN Ceramic

Weight	137 kg
Regulation range	4 ÷ 12 kW
Heat capacity	98 ÷ 190 m ³
Flue outlete	top
Fuel	wood, briquette
Flue gas flow wood/briquette	6,1 / 10 g/s
Draught	10
Certificates	1, 2, 3, 4, 5, 7

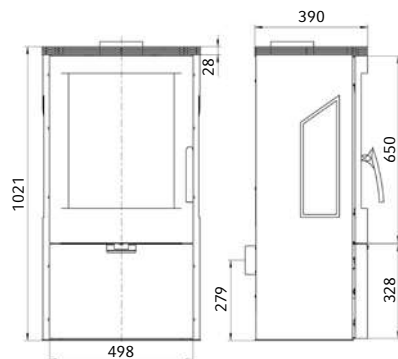




WIKANTICA



Weight	108 kg
Regulation range	4 ÷ 12 kW
Heat capacity	98 ÷ 190 m ³
Flue outlet	top
Fuel	wood, briquette
Flue gas flow wood/briquette	6,1 / 10 g/s
Draught	10
Certificates	1, 2, 3, 5, 7



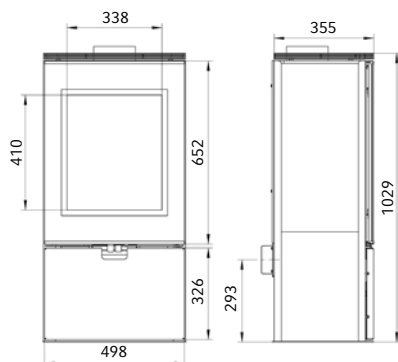
82%



CREMONA



Weight	105 kg
Regulation range	4 ÷ 12 kW
Heat capacity	98 ÷ 190 m ³
Flue outlet	top
Fuel	wood, briquette
Flue gas flow wood/briquette	6,1 / 10 g/s
Draught	1
Certificates	1, 2, 3, 4, 5, 7



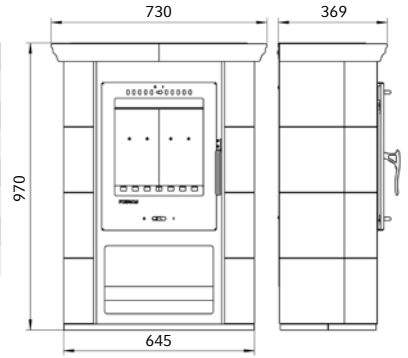
82%





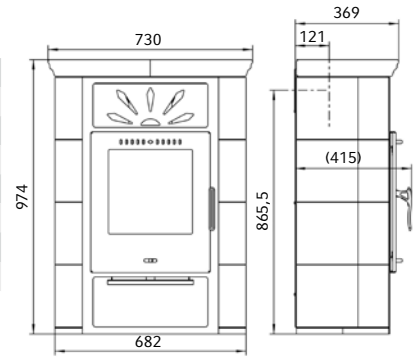
BORGHOLM Ceramic

Weight	121 kg
Regulation range	3,5 ÷ 10,5 kW
Heat capacity	98 ÷ 165 m ³
Flue outlete	top
Fuel	wood, briquette
Flue gas flow wood/briquette	5,6 / 6,3 g/s
Draught	12
Certificates	1, 2, 3, 4, 5, 7



BORGHOLM TOP Ceramic

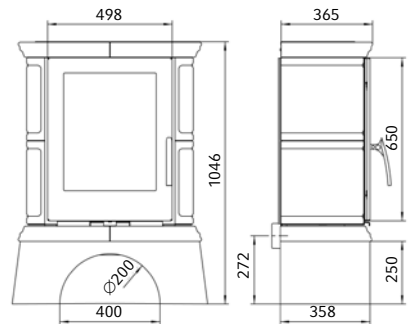
Weight	133 kg
Regulation range	3,5 ÷ 10,5 kW
Heat capacity	98 ÷ 165 m ³
Flue outlete	top, back
Fuel	wood, briquette
Flue gas flow wood/briquette	5,6 / 6,3 g/s
Draught	12
Certificates	1, 2, 3, 4, 5, 7



LANDSHUT



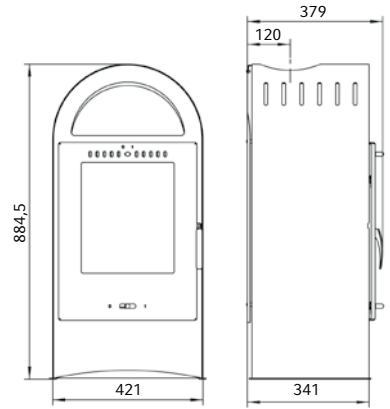
Weight	129 kg
Regulation range	4 ÷ 12 kW
Heat capacity	98 ÷ 190 m ³
Flue outlete	top
Fuel	wood, briquette
Flue gas flow wood/briquette	6,1 / 10 g/s
Draught	10
Certificates	1, 2, 3, 5, 7





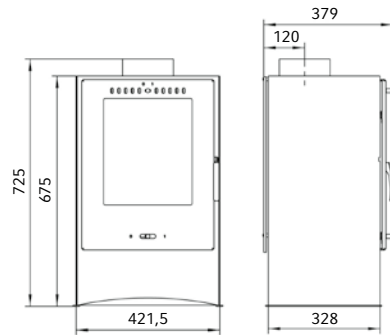
BASEL II

Weight	60 kg
Regulation range	3,5 ÷ 10,5 kW
Heat capacity	98 ÷ 165 m ³
Flue outlete	top
Fuel	wood, briquette
Flue gas flow wood/briquette	5,6 / 6,3 g/s
Draught	12
Certificates	1, 2, 3, 4, 5, 7



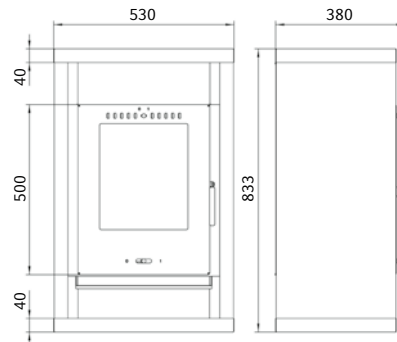
SKAL II

Weight	58 kg
Regulation range	3,5 ÷ 10,5 kW
Heat capacity	98 ÷ 165 m ³
Flue outlete	top
Fuel	wood, briquette
Flue gas flow wood/briquette	5,6 / 5,9 g/s
Draught	12
Certificates	1, 2, 3, 4, 5, 7



GENT

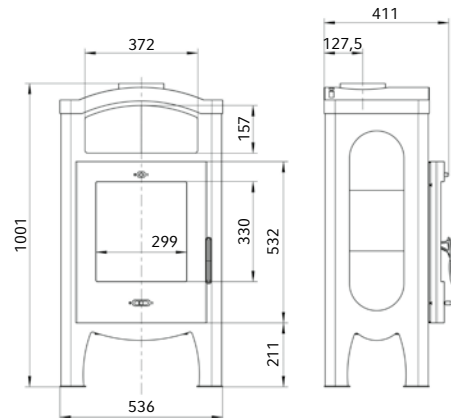
Weight	71 kg
Regulation range	2,5 ÷ 7,5 kW
Heat capacity	48 ÷ 124 m ³
Flue outlete	top
Fuel	wood, briquette
Flue gas flow wood/briquette	4,2 / 6,5 g/s
Draught	12
Certificates	1, 5





TORINO

Weight	94 kg
Regulation range	3,5 ÷ 10,5
Heat capacity	98 ÷ 165 m ³
Flue outlet	top
Fuel	wood, briquette
Flue gas flow wood/ briquette	5,6 / 6,3 g/s
Draught	12
Certificates	1, 2, 3, 4, 5

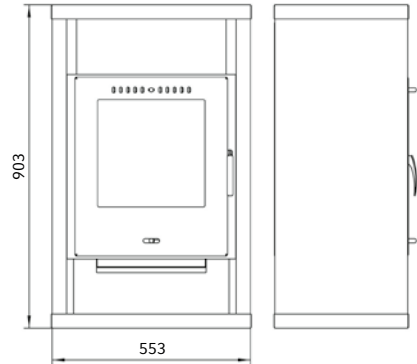




HÖRBY



Weight	85 kg
Regulation range	3,5 ÷ 10,5
Heat capacity	98 ÷ 165 m ³
Flue outlet	top
Fuel	wood, briquette
Flue gas flow wood/briquette	5,6 / 5,9
Draught	10
Certificates	1, 2, 3, 4, 5, 7

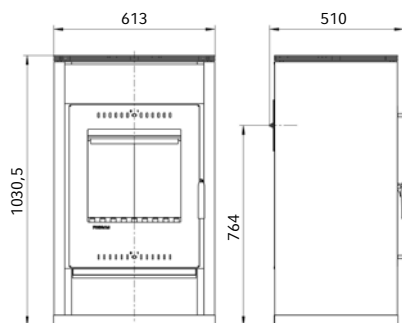




TRONDHEIM



Weight	120 kg
Regulation range	4,5 ÷ 13,5 kW
Heat capacity	98 ÷ 200 m ³
Flue outlete	top, back
Fuel	wood, briquette
Flue gas flow wood/briquette	7,4 / 7,9 g/s
Draught	13 / 10
Certificates	1, 5

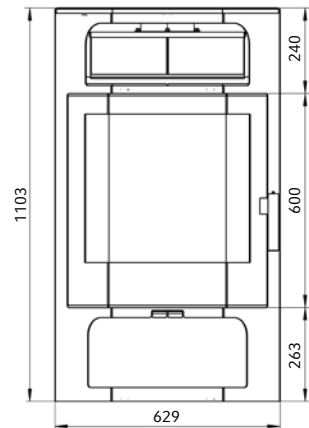




FRANKFURT



Weight	153 kg
Regulation range	4,5 ÷ 13,5 kW
Heat capacity	98 ÷ 200 m ³
Flue outlet	top
Fuel	wood, briquette
Flue gas flow wood/briquette	7,5 / 13,1 g/s
Draught	12
Certificates	1, 2, 3, 5

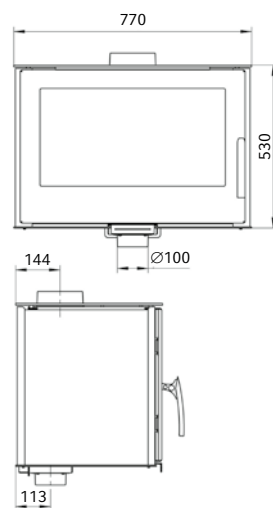

80%


BILBAO A MALLORCA UNI



BILBAO UNI (flat door)

Weight	130 kg
Regulation range	6 ÷ 17 kW
Heat capacity	120 ÷ 220 m ³
Flue outlet	top
Fuel	wood, briquette
Flue gas flow wood/briquette	8 / 17,1 g/s
Draught	12
Certificates	1, 3, 5





box



leg



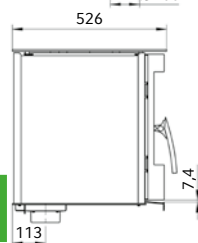
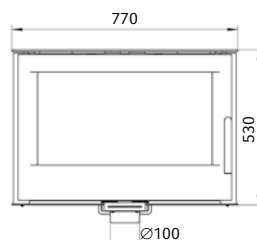
bench



MALLORCA UNI (round door)*

Weight	135 kg
Regulation range	6 ÷ 17 kW
Heat capacity	120 ÷ 220 m ³
Flue outlete	top
Fuel	wood, briquette
Flue gas flow wood/briquette	8 / 17,1 g/s
Draught	12
Certificates	1, 3, 5

* pedestal on sale separately

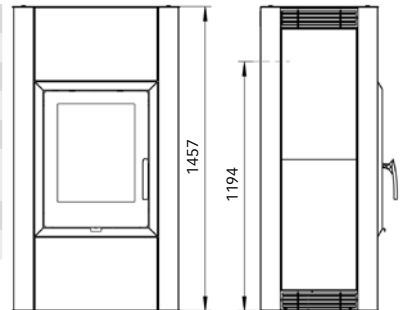




FOREST ALCANTE



Weight	360 kg
Regulation range	4 ÷ 12 kW
Heat capacity	98 ÷ 190 m ³
Flue outlet	top, back
Fuel	wood, briquette
Flue gas flow wood/ briquette	6,1 / 10 g/s
Draught	10
Certificates	1, 2, 3, 5



82%



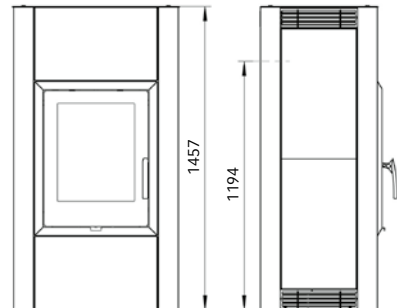
A⁺



ALICANTE MOUNTAIN



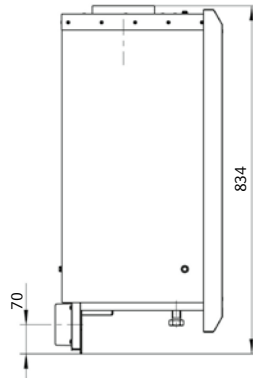
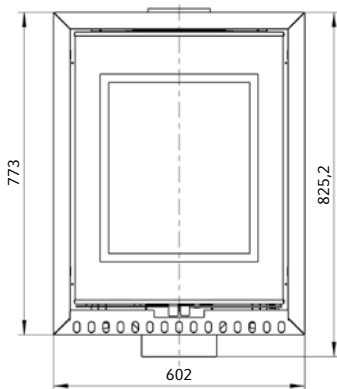
Weight	360 kg
Regulation range	4 ÷ 12 kW
Heat capacity	98 ÷ 190 m ³
Flue outlete	top, back
Fuel	wood, briquette
Flue gas flow wood/briquette	6,1 / 10 g/s
Draught	10
Certificates	1, 2, 3, 5


82%

A⁺

ALMERIA

Weight	71 kg
Regulation range	4 ÷ 12 kW
Heat capacity	98 ÷ 190 m ³
Flue outlet	top
Fuel	wood, briquette
Flue gas flow wood/briquette	6,1 / 10 g/s
Draught	10
Certificates	1, 2, 3, 5



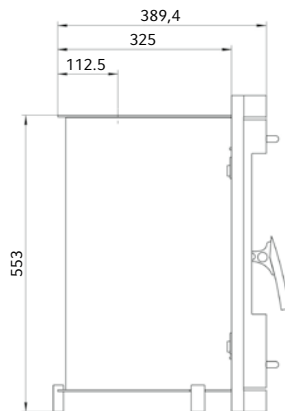
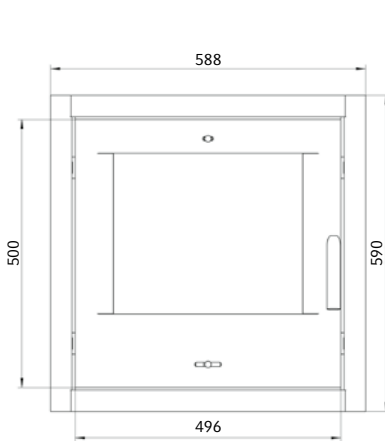
82%



A⁺

DOMINO III

Weight	69 kg
Regulation range	3,5 ÷ 10,5 kW
Heat capacity	98 ÷ 165 m ³
Flue outlet	top
Fuel	wood, briquette
Flue gas flow wood/briquette	5,6 / 6,3 g/s
Draught	12
Certificates	1, 2, 3, 5, 7



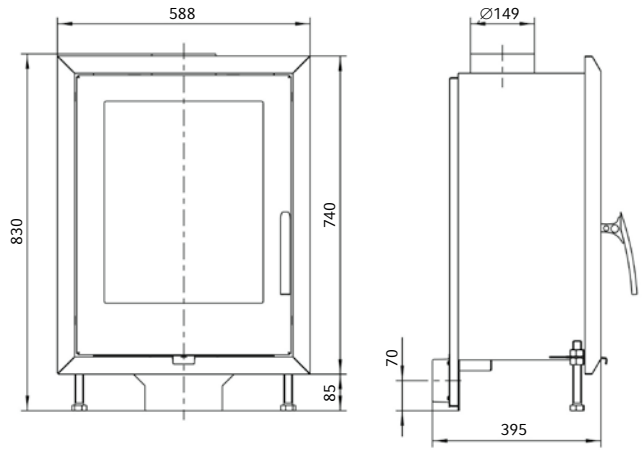
81%



A⁺

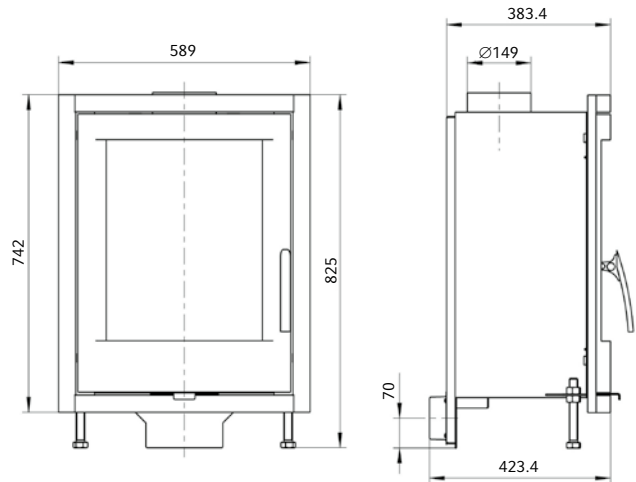
ALICANTE

Weight	61 kg
Regulation range	4 ÷ 12 kW
Heat capacity	98 ÷ 190 m ³
Flue outlete	top
Fuel	wood, briquette
Flue gas flow wood/briquette	6,1 / 10 g/s
Draught	10
Certificates	1, 2, 3, 5



VALENCIA

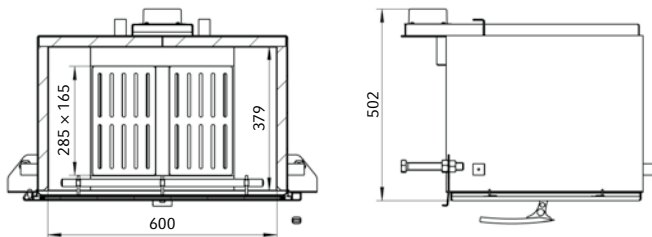
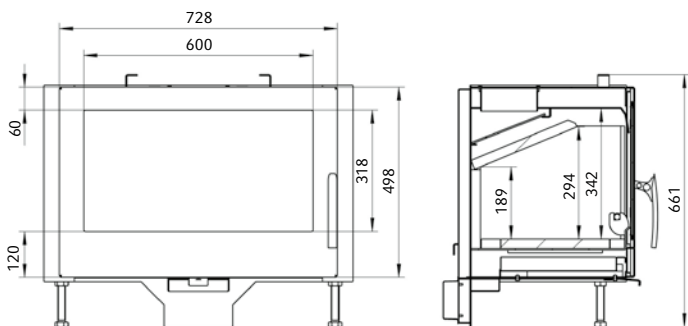
Weight	75 kg
Regulation range	4 ÷ 12 kW
Heat capacity	98 ÷ 190 m ³
Flue outlete	top
Fuel	wood, briquette
Flue gas flow wood/briquette	6,1 / 10 g/s
Draught	10
Certificates	1, 2, 3, 5





LANDSCAPE

Weight	100 kg
Regulation range	6 ÷ 17 kW
Heat capacity	120 ÷ 220 m ³
Flue outlete	top
Fuel	wood, briquette
Flue gas flow wood/briquette	8 / 17,1 g/s
Draught	12
Certificates	1, 3, 5



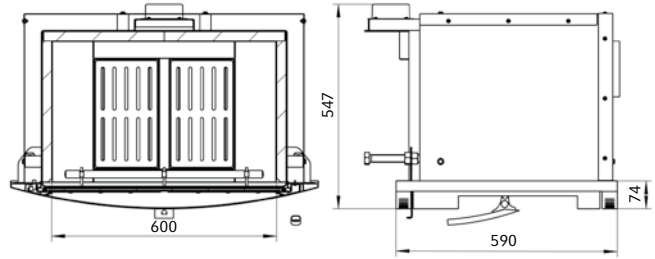
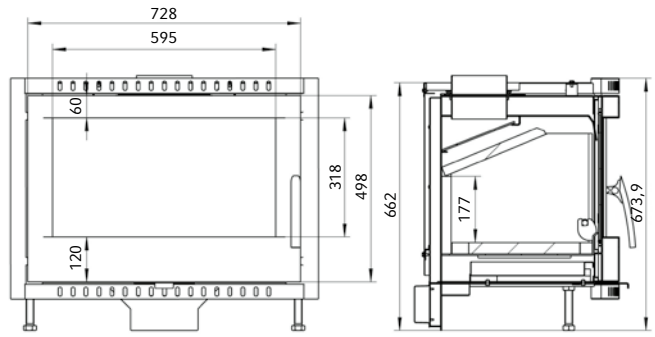
76%



A

LIVORNO

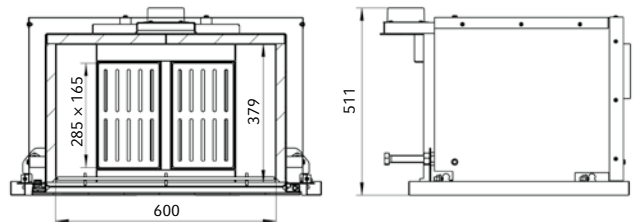
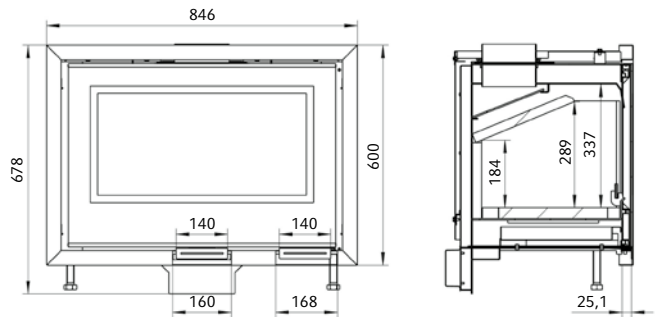
Weight	106 kg
Regulation range	6 ÷ 17 kW
Heat capacity	120 ÷ 220 m ³
Flue outlete	top
Fuel	wood, briquette
Flue gas flow wood/briquette	8 / 17,1 g/s
Draught	12
Certificates	1, 3, 5



LEVANTO



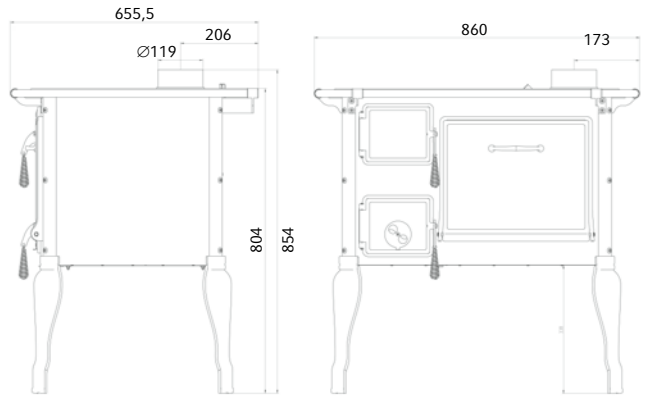
Weight	104 kg
Regulation range	6 ÷ 17 kW
Heat capacity	120 ÷ 220 m ³
Flue outlete	top
Fuel	wood, briquette
Flue gas flow wood/briquette	8 / 17,1 g/s
Draught	12
Certificates	1, 3, 5





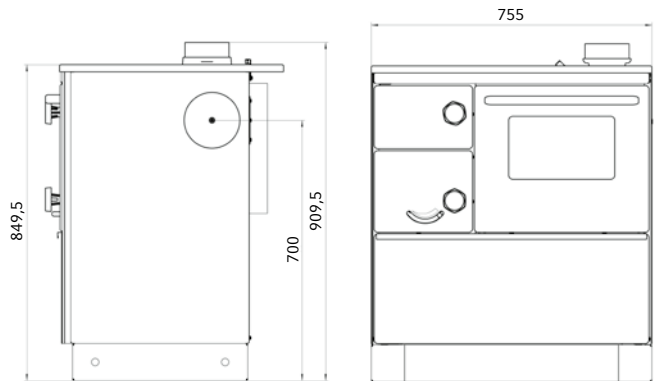
FIKO 70 Nostalgia

Weight	92 kg
Regulation range	3,3 ÷ 10 kW
Heat capacity	82 ÷ 205 m ³
Flue outlet	top
Fuel	wood, briquette
Flue gas flow wood/briquette	9,3 / 8,4 g/s
Draught	12
Certificates	1, 2, 3, 5



ÖKONOM 75/FIKO DeLuxe

Weight	147 kg
Regulation range	3,5 ÷ 10,5 kW
Heat capacity	82 ÷ 205 m ³
Flue outlet	top, back, side
Fuel	wood, briquette
Flue gas flow wood/briquette	10,6 / 15,8 g/s
Draught	12 / 11
Certificates	1, 2, 3, 5





ÖKONOM 85/FIKO DeLuxe

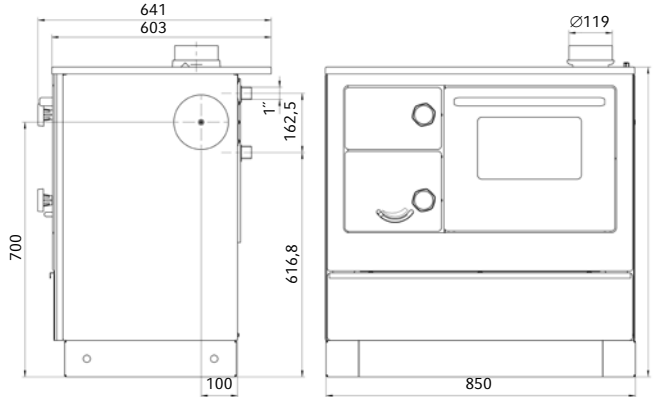
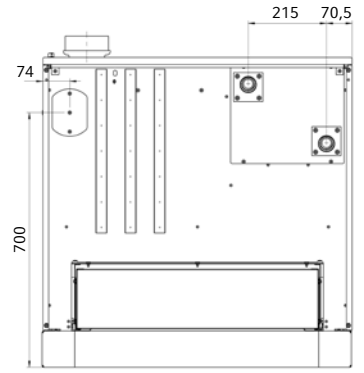
Weight	150 kg
Regulation range	3,5 ÷ 10,5
Heat capacity	82 ÷ 205 m ³
Flue outlete	top, back, side
Fuel	wood, briquette
Flue gas flow wood/briquette	10,6 / 15,8 g/s
Draught	12 / 11
Certificates	1, 2, 3, 5



Grey color swatch

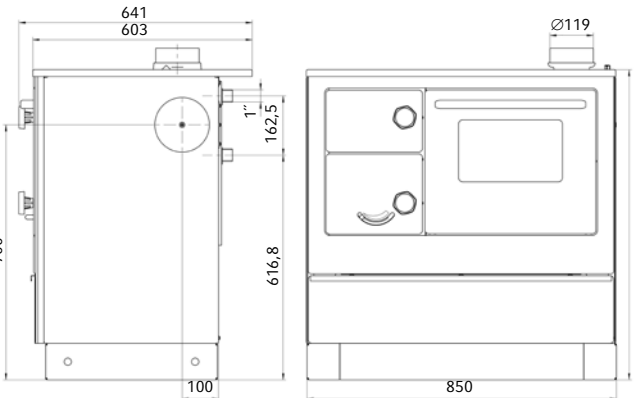
A (Green arrow)

- 76% efficiency icon
- Flue outlet top icon
- Flue outlet back icon
- Flue outlet side icon
- Wood fuel icon
- Briquette fuel icon
- Stove icon
- Oven icon
- Drawer icon



ÖKONOM 85/FIKO DeLuxe

Weight	150 kg
Regulation range	3,5 ÷ 10,5
Heat capacity	82 ÷ 205 m ³
Flue outlete	top, back, side
Fuel	wood, briquette
Flue gas flow wood/briquette	10,6 / 15,8 g/s
Draught	12 / 11
Certificates	1, 2, 3, 5



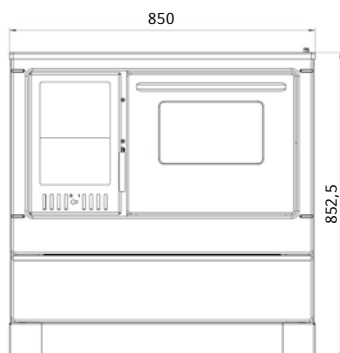
Dark wood and light wood color swatches

A (Green arrow)

- 76% efficiency icon
- Flue outlet top icon
- Flue outlet back icon
- Flue outlet side icon
- Wood fuel icon
- Briquette fuel icon
- Stove icon
- Oven icon
- Drawer icon

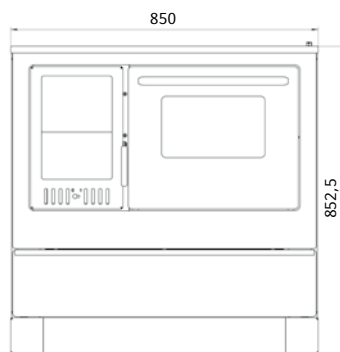
ÖKONOM 85/FIKO EXCELLENT H

Weight	138 kg
Regulation range	3,5 ÷ 10,5
Heat capacity	82 ÷ 205 m ³
Flue outlete	back, side
Fuel	wood, briquette
Flue gas flow wood/briquette	10,6 / 15,8 g/s
Draught	12 / 11
Certificates	1, 2, 3, 5



ÖKONOM 85/FIKO EXCELLENT OP

Weight	149 kg
Regulation range	3,5 ÷ 10,5 kW
Heat capacity	82 ÷ 205 m ³
Flue outlete	top, side
Fuel	wood, briquette
Flue gas flow wood/briquette	10,6 / 15,8 g/s
Draught	12 / 11
Certificates	1, 2, 3, 5

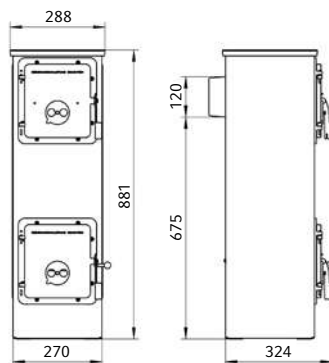






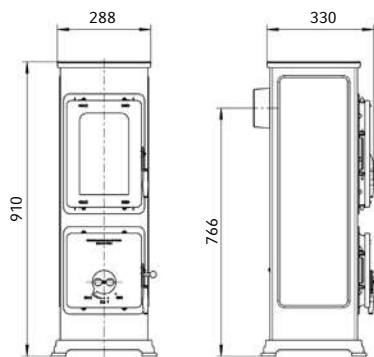
KERPEN II

Weight	56 kg
Regulation range	2,5 ÷ 7,5 kW
Heat capacity	48 ÷ 124 m ³
Flue outlete	back
Fuel	wood, briquette
Flue gas flow wood/briquette	5,6 / 6,6 g/s
Draught	12
Certificates	1, 3, 4, 5



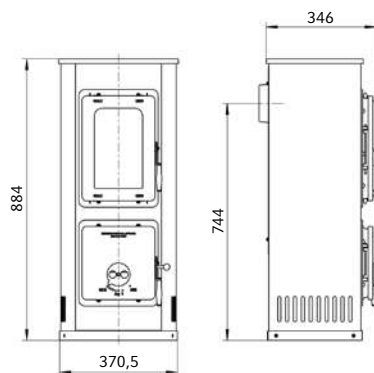
BOZEN b

Weight	61 kg
Regulation range	2,5 ÷ 7,5 kW
Heat capacity	48 ÷ 124 m ³
Flue outlete	back
Fuel	wood, briquette
Flue gas flow wood/briquette	5,6 / 6,6 g/s
Draught	12
Certificates	1, 3, 4, 5



VERONA b

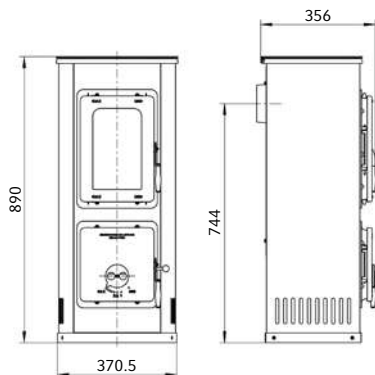
Weight	66 kg
Regulation range	2,5 ÷ 7,5 kW
Heat capacity	48 ÷ 124 m ³
Flue outlete	back
Fuel	wood, briquette
Flue gas flow wood/briquette	5,6 / 6,6 g/s
Draught	12
Certificates	1, 3, 4, 5





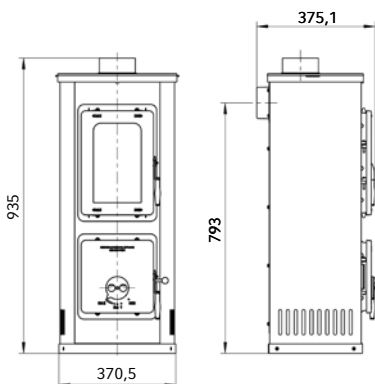
MILANO II

Weight	69 kg
Regulation range	2,5 ÷ 7,5 kW
Heat capacity	48 ÷ 124 m ³
Flue outlete	back
Fuel	wood, briquette
Flue gas flow wood/briquette	5,6 / 6,6 g/s
Draught	12
Certificates	1, 3, 4, 5



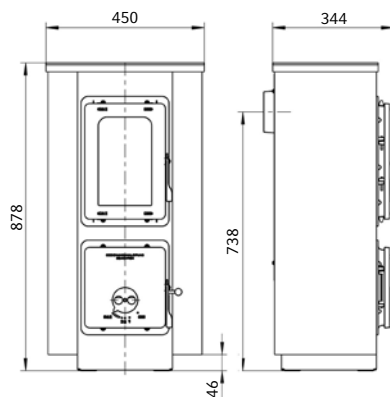
VERONA b Top

Weight	66 kg
Regulation range	2,5 ÷ 7,5 kW
Heat capacity	48 ÷ 124 m ³
Flue outlete	top
Fuel	wood, briquette
Flue gas flow wood/briquette	5,6 / 5,5 g/s
Draught	10
Certificates	1, 3, 5



MERANO

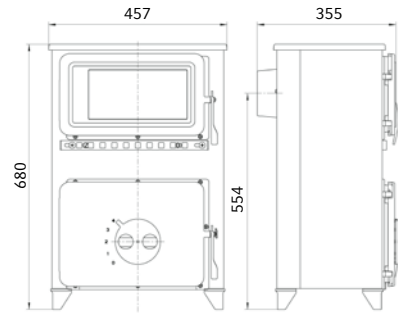
Weight	67 kg
Regulation range	2,5 ÷ 7,5 kW
Heat capacity	48 ÷ 124 m ³
Flue outlete	back
Fuel	wood, briquette
Flue gas flow wood/briquette	5,6 / 6,6 g/s
Draught	12
Certificates	1, 3, 5



FILEX-Hb



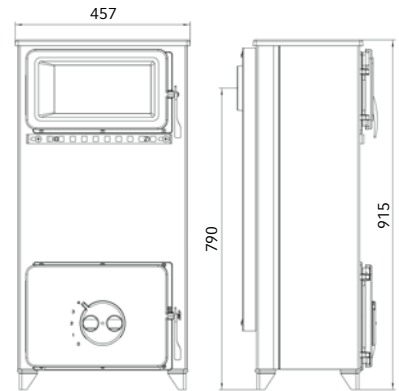
Weight	75 kg
Regulation range	2,5 ÷ 7,5 kW
Heat capacity	48 ÷ 124 m ³
Flue outlete	back
Fuel	wood, briquette
Flue gas flow wood/briquette	5,9 / 5,4 g/s
Draught	12
Certificates	1, 5



MARBURG b



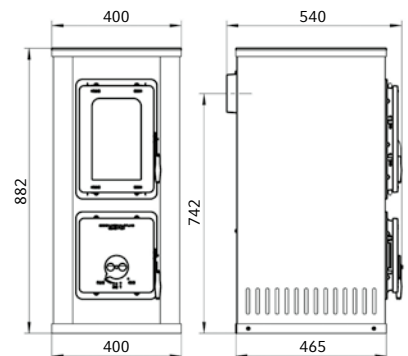
Weight	100 kg
Regulation range	3,5 ÷ 10,5 kW
Heat capacity	82 ÷ 205 m ³
Flue outlete	back
Fuel	wood, briquette
Flue gas flow wood/briquette	6,3 / 7,7 g/s
Draught	12
Certificates	1, 5



FLENSBURG II



Weight	97 kg
Regulation range	3,5 ÷ 10,5 kW
Heat capacity	82 ÷ 190 m ³
Flue outlete	back
Fuel	wood, briquette
Flue gas flow wood/briquette	7,4 / 11,1 g/s
Draught	12
Certificates	1, 3, 5



FLUE SETS



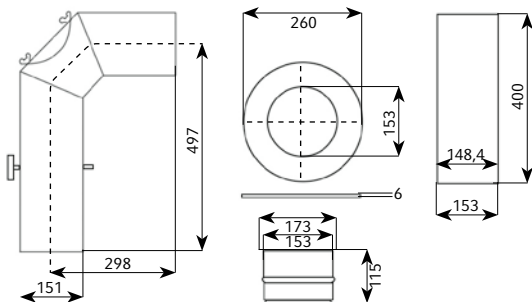
Flue – grey



Flue – black



Flue – brown



WOOD CARRIER



Steel wood rack with powder coating



Wood carrier



available in steel version as well



Cauldron set 60 l



Fireplace accessories – poker, shovel, brush, stand



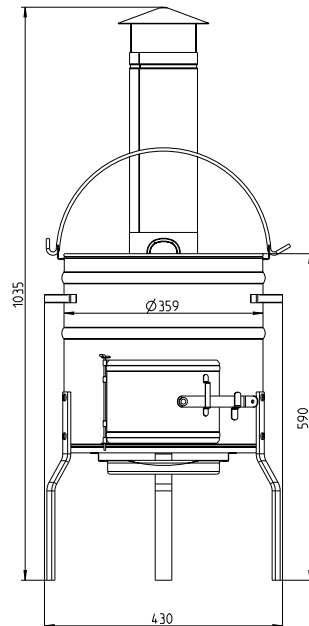
Cauldron 15 l
(also available in 8 l version)



Grill plate



Cauldron 15l
(available in 8 l and 60 l version as well)



Flue outlet	Fuel type	Flue gas flow (wood / briquette) [g/s]	Chimney draught [Pa]	Flue gas temperature [°C]	Energy class	Certificates
top	wood, briquette	9,3 / 8,4	12	280	A	1, 2, 3, 5
top	wood, briquette	9,3 / 8,4	12	280	A	1, 5
top, back, side	wood, briquette	10,6 / 15,8	12 / 11	235	A	1, 2, 3, 5
top, back, side	wood, briquette	10,6 / 15,8	12 / 11	231	A	1, 2, 3, 5
back	wood, briquette	5,6 / 6,6	12	269	A	1, 3, 4, 5
back	wood, briquette	5,6 / 6,6	12	269	A	1, 3, 4, 5
back	wood, briquette	5,6 / 6,6	12	269	A	1, 3, 4, 5
top	wood, briquette	5,6 / 5,5	10	280	A	1, 3, 5
back	wood, briquette	5,6 / 6,6	12	269	A	1, 3, 4, 5
back	wood, briquette	5,6 / 6,6	12	269	A	1, 3, 5
back	wood, briquette	5,9 / 5,4	12	240	A	1, 5
back	wood, briquette	6,3 / 7,7	12	365	A	1, 5
back	wood, briquette	7,4 / 11,1	12	296	A	1, 3, 5
top	wood, briquette	5,9 / 6,1	10 / 12	230	A+	1, 2, 3, 4, 5, 7
top	wood, briquette	7,5 / 13,1	12	289	A	1, 2, 3, 5
top, back	wood, briquette	7 / 7	13	219	A+	1, 2, 3, 5
top	wood, briquette	4,2 / 6,5	12	310	A+	1, 5
top	wood, briquette	5,6 / 6,3	12	275	A+	1, 2, 3, 4, 5, 7
top, back	wood, briquette	5,6 / 6,3	12	275	A+	1, 2, 3, 4, 5, 7
top	wood, briquette	6,9 / 8,9	12	271	A+	1, 2, 3, 4, 5, 6, 7
top, back	wood, briquette	6,9 / 8,1	12	202	A+	1, 2, 3, 4, 5, 6, 7
top, back	wood, briquette	6,9 / 8,1	12	202,5	A+	1, 2, 3, 5
top	wood, briquette	6,9 / 8,9	12	271	A+	1, 2, 3, 4, 5, 6, 7
top	wood, briquette	5,6 / 6,3	12	275	A+	1, 2, 3, 4, 5, 7
top	wood, briquette	5,6 / 5,9	12	275	A+	1, 2, 3, 4, 5, 7
top	wood, briquette	6,1 / 10	10	261	A+	1, 2, 3, 4, 5, 7
top	wood, briquette	6,1 / 10	10	261	A+	1, 2, 3, 4, 5, 7
top	wood, briquette	6,1 / 10	10	261	A+	1, 2, 3, 4, 5, 7
top	wood, briquette	6,1 / 10	10	261	A+	1, 2, 3, 5, 7
top	wood, briquette	6,1 / 10	10	261	A+	1, 2, 3, 4, 5, 7
top	wood, briquette	6,1 / 10	10	261	A+	1, 2, 3, 4, 5, 7
top	wood, briquette	6,1 / 10	10	261	A+	1, 2, 3, 5, 7
top	wood, briquette	8,8 / 6,3	12	271	B	1, 5
top	wood, briquette	6,1 / 10	10	251	A+	1, 2, 3, 5, 7
top, back	wood, briquette	7,4 / 7,9	13 / 10	297	A+	1, 5
top	wood, briquette	8 / 17,1	12	386	A+	1, 3, 5
top	wood, briquette	8 / 17,1	12	386	A+	1, 3, 5
top	wood, briquette	8 / 17,1	12	386	A+	1, 3, 5
top	wood, briquette	5,6 / 6,3	12	282	A+	1, 2, 3, 5, 7
top	wood, briquette	6,1 / 10	10	261	A+	1, 2, 3, 5
top	wood, briquette	6,1 / 10	10	261	A+	1, 2, 3, 5
top	wood, briquette	6,1 / 10	10	261	A+	1, 2, 3, 5
top	wood, briquette	8 / 17,1	12	386	A	1, 3, 5
top	wood, briquette	8 / 17,1	12	386	A	1, 3, 5

